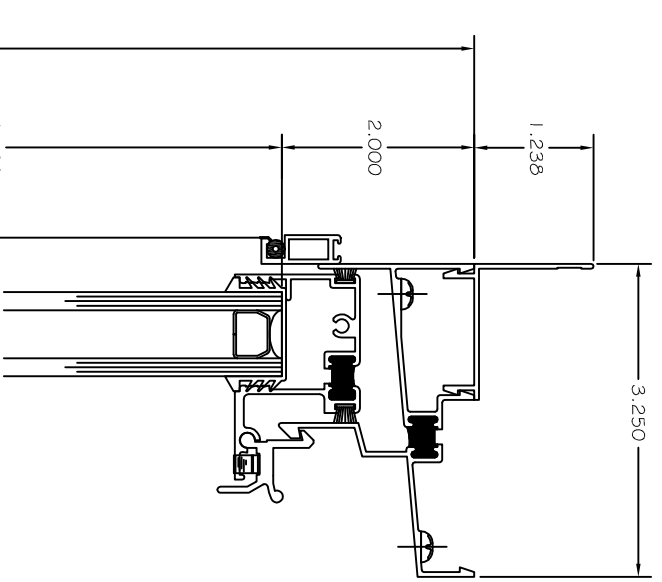
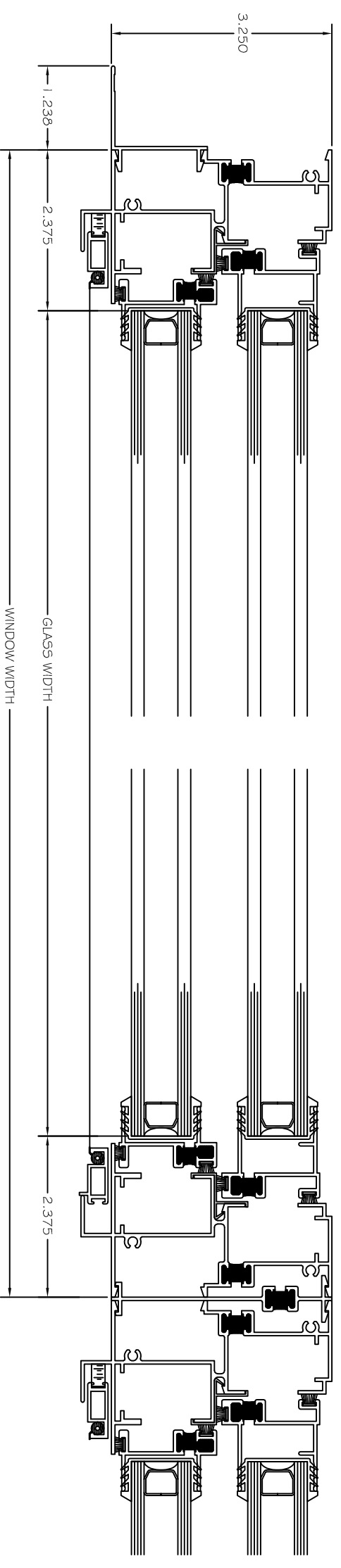


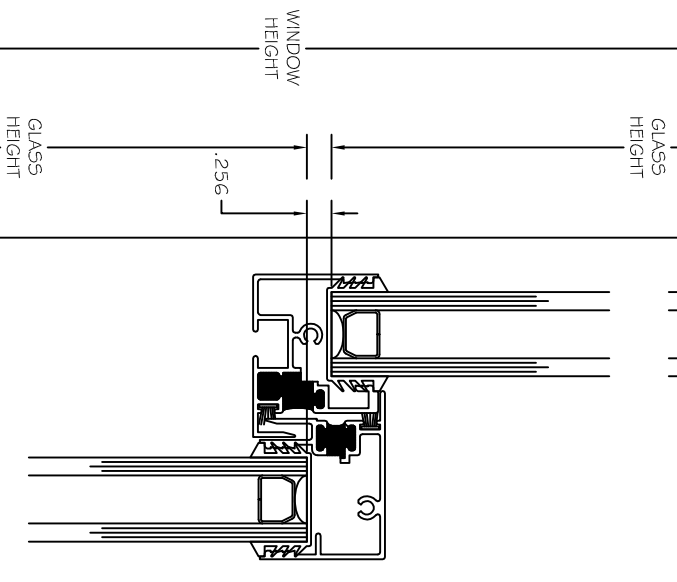
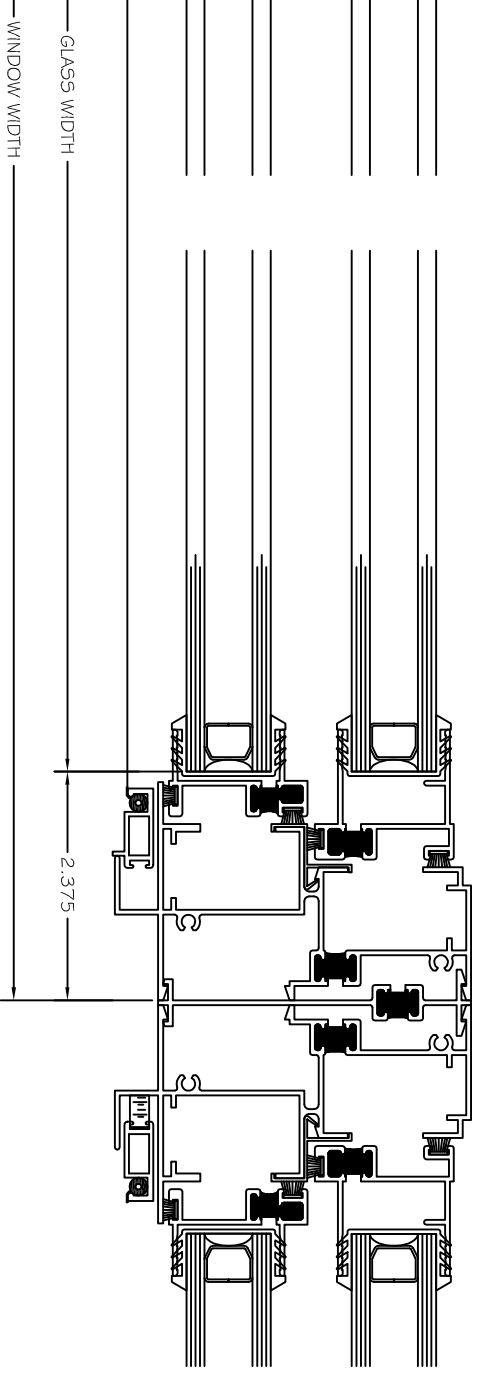
SECTION 1  
HEAD



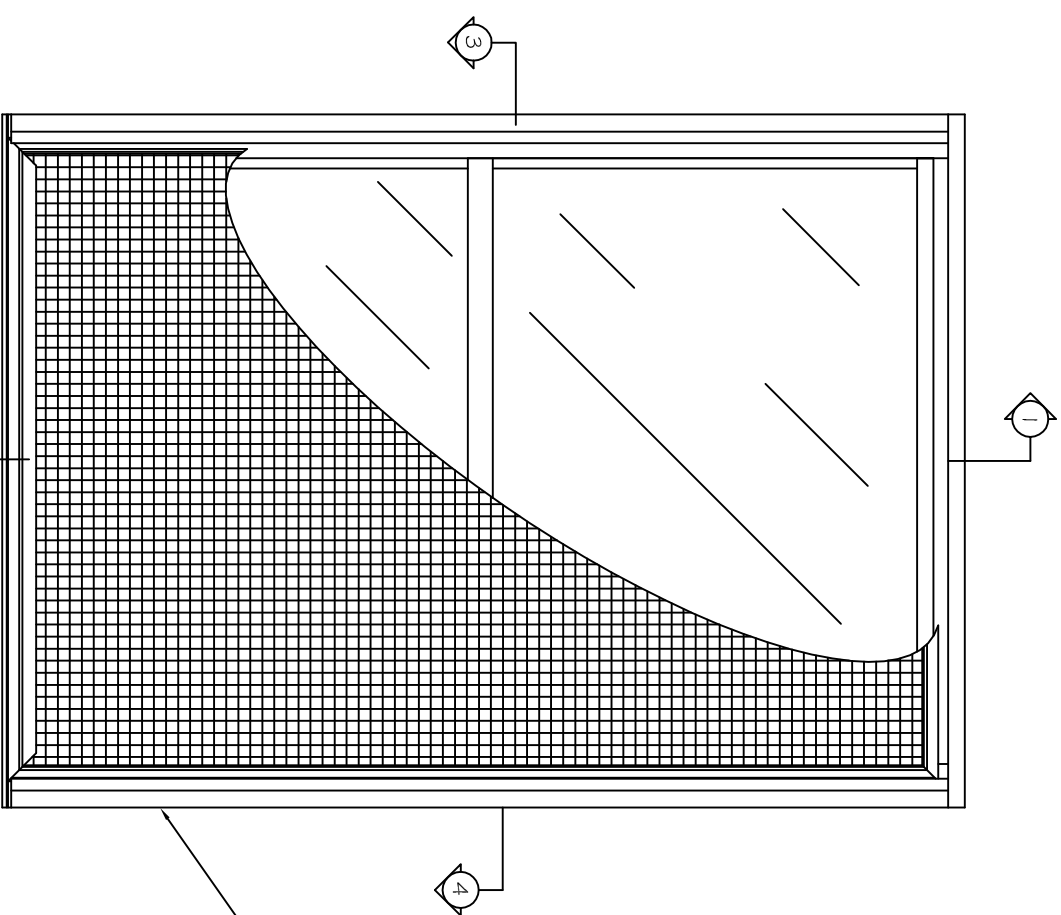
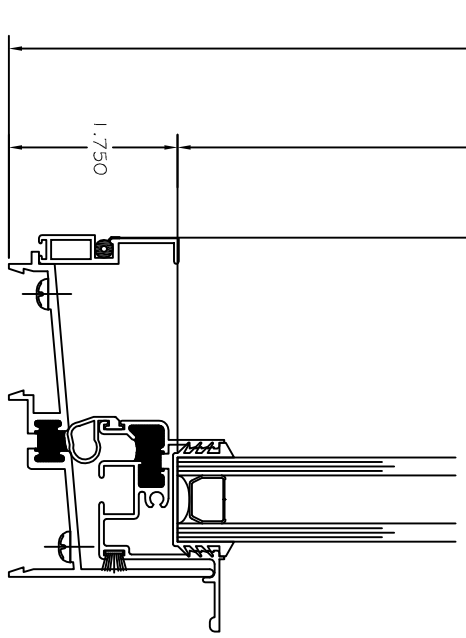
SECTION 3  
JAMB



SECTION 4  
JAMB



SECTION 2  
SILL



EXTERIOR ELEVATION

MODIFY SCALE X 5 FOR  
ACTUAL SIZE OF WINDOW

		<b>COLUMBIA GLASS</b>	
Phone No: 717-741-4844	Part Name: ASSEMBLY	Designed: RUB	Date: 2-24-06
Fax No: 717-741-4625	Project Title: DOUBLE HUNG TILT	Checked By: FULL	Date:
E-mail: pddi@blazenet.net	Project No: 3425-A-09	Scale:	Rev:
			Service: C-3000